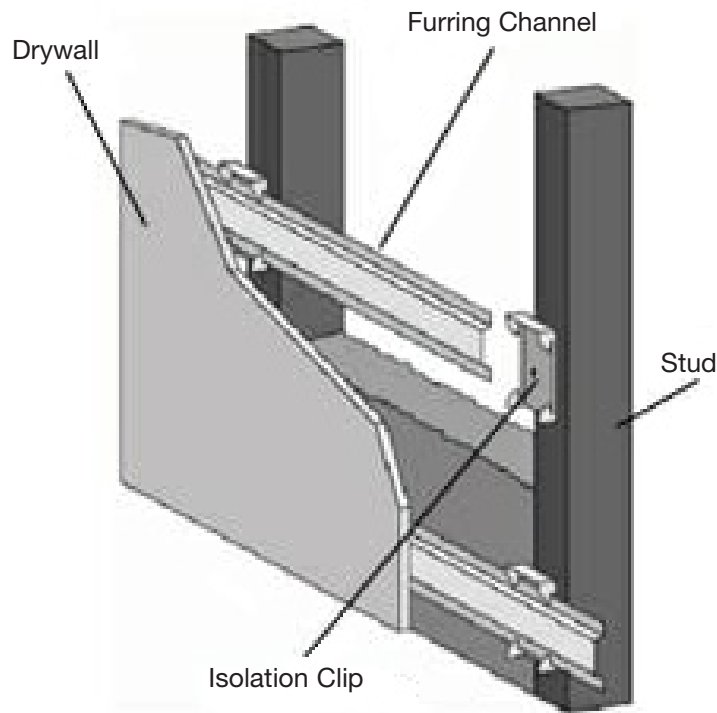


RSIC-V™ SOUND ISOLATION CLIP

RSIC-V Installation Guide



ACOUSTICAL | SURFACES, INC.

Acoustical Surfaces, Inc.
A Master Distributor for
PAC INTERNATIONAL, INC.

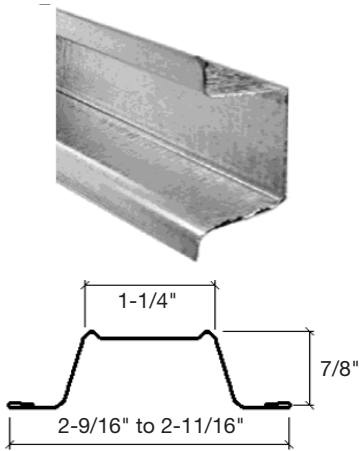


PAGE 1

Celebrating Over 40 Years - SOUNDPROOFING, ACOUSTICS, NOISE & VIBRATION SPECIALISTS!
952.448.5300 | 800.448.0121 | sales@acousticalsurfaces.com | www.acousticalsurfaces.com

RSIC-V™ SOUND ISOLATION CLIP

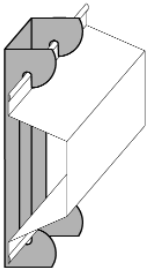
RSIC-V Installation Guide Cont.



Furring Channel:

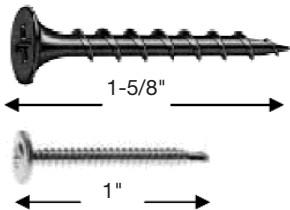
- **Minimum Requirements:** 25 gauge, hemmed edge detail required on all 25 gauge furring channel. Meets or exceeds SMA requirements. (25 Ga furring channel recommended).
- **Depth:** 7/8 inch.
- **Width Bottom:** 2-9/16" to 2-11/16" inch wide nominal.
- **Width Top:** 1-1/4 inch wide.

Splice drywall furring channel (hat track) with 6 inch overlap in mid-span (between two clips) secure with 18 ga tie wire, or tow 7/16" framing screws.



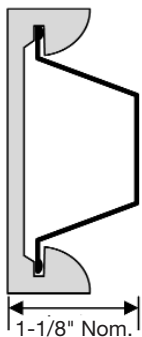
Resilient Sound Isolation Clip (RSIC-V):

- **Spacing:** Maximum 48 inches on center.
- **Maximum Acoustical Design Load:** 36 lbs.



Fasteners:

- **RSIC-V to Wood:** 1-5/8 inch minimum size coarse thread screw.
- **RSIC-V to Steel:** 9/16 inch minimum size fine thread screw. For 25 gauge Steel Studs use 9/16" x #8 shank needle point, wafer head framing screw to attach the RSIC-V to the framing members.
- **DO NOT** fasten Resilient Sound Isolation Clips (RSIC-V) to framing members with nails. Use only approved screws.



RSIC-1 Dimensions:

- RSIC-V clip 3" tall
- RSIC-V and 7/8" drywall furring channel 1-1/8" deep

Average Labor Rates:

- **RSIC-V:** 72 clips per man hour
 - **Drywall Furring Channel:** 550 LF per man hour.
- Labor rates provided to manufacturer by independent contracting firm.



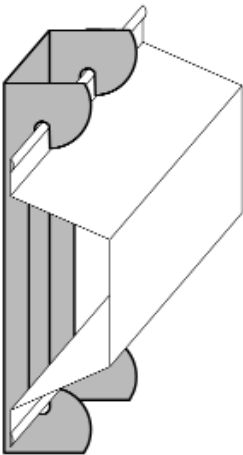
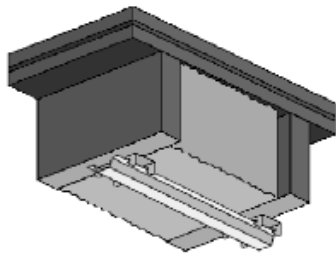
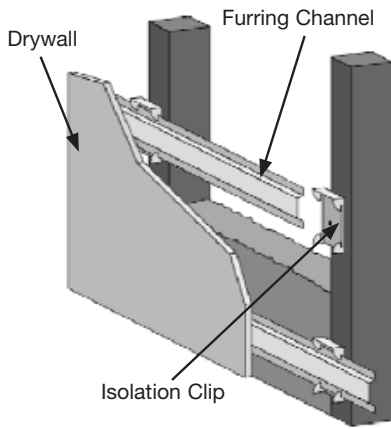
ACOUSTICAL | SURFACES, INC.

PAGE 2

Celebrating Over 40 Years - SOUNDPROOFING, ACOUSTICS, NOISE & VIBRATION SPECIALISTS!
952.448.5300 | 800.448.0121 | sales@acousticalsurfaces.com | www.acousticalsurfaces.com

RSIC-V™ SOUND ISOLATION CLIP

RSIC-V Installation Guide Cont.



Walls: One and Two layer of 5/8" Gypsum

- Resilient Sound Isolation Clip (RSIC-V) shall be 48 inches maximum on center. (horizontal)
- Fasten the Resilient Sound Isolation Clip (RSIC-V) to the substrate with a fastener approved for a minimum pull-out and shear of 120 lbs.
- Ensure the RSIC-V clip is tight to the substrate.
- Locate the first row of RSIC-V clips within 3 inches from the floor and within 6 inches from the ceiling.
- Snap in the drywall furring channel (hat track) into the RSIC-V clips (horizontal for walls). (See splice details).
- Place 1/4" (minimum) shim on floor to fully support the gypsum board.
- Install the gypsum board from the bottom up leaving a 1/4" min. gap around perimeter of wall.
- **ONLY** remove the shims after **ALL** the gypsum board is completely screwed to **ALL** the drywall furring channels.
- Make sure every screw (floor to ceiling and wall to wall) is installed as required by the assembly design, in every layer of gypsum board before removing the shims at the floor. The shims are critical to ensure best results.
- Caulk around the entire perimeter of the wall. Use fire and smoke rated acoustical sealant where required.

Ceilings One and Two Layer of 5/8" Gypsum

- Resilient Sound Isolation Clips (RSIC-V) shall be 48 inches maximum on center.
- Fasten the Resilient Sound Isolation Clip (RSIC-V) to the substrate with a fastener approved for a minimum pull-out and shear of 120 lbs.
- Ensure the RSIC-V clip is tight to the substrate.
- Locate the first row of RSIC-V clips within 8 inches of the wall at each end of a run.
- Snap in the drywall furring channel (hat track) into the RSIC-V clips.
- Install the gypsum board leaving a 1/4" min. gap around perimeter of the ceiling.
- Caulk around the entire perimeter of the the ceiling. Use fire and smoke rated acoustical sealant where required.

General Information:

- Refer to www.UL.com for complete installation details on all fire resistive assembly designs.
- Resilient Sound Isolation Clip (RSIC-V), furring channel (hat track) and gypsum board shall not carry heavy loads such as cabinets or bookshelves.
- Splice furring channel (hat track) with 6 inch overlap in mid-span, secure with 18 ga. tie wire or with two framing screws (7/16").
- Seal all potential air leaks with non-hardening acoustical caulking to achieve best noise control results. Use fire rated sealant where required.
- When attaching the RSIC-V clips to a steel stud the minimum allowable thickness is 20 ga. (0.030). 3 fasteners are required to secure the RSIC-V to 25 ga framing.

Fire Test Information:

- Approved for use in over 160 different UL fire resistive design assemblies.



ACOUSTICAL | SURFACES, INC.

PAGE 3

Celebrating Over 40 Years - SOUNDPROOFING, ACOUSTICS, NOISE & VIBRATION SPECIALISTS!
952.448.5300 | 800.448.0121 | sales@acousticalsurfaces.com | www.acousticalsurfaces.com

RSIC-V™ SOUND ISOLATION CLIP

RSIC-V Clip Installation Guide Cont.

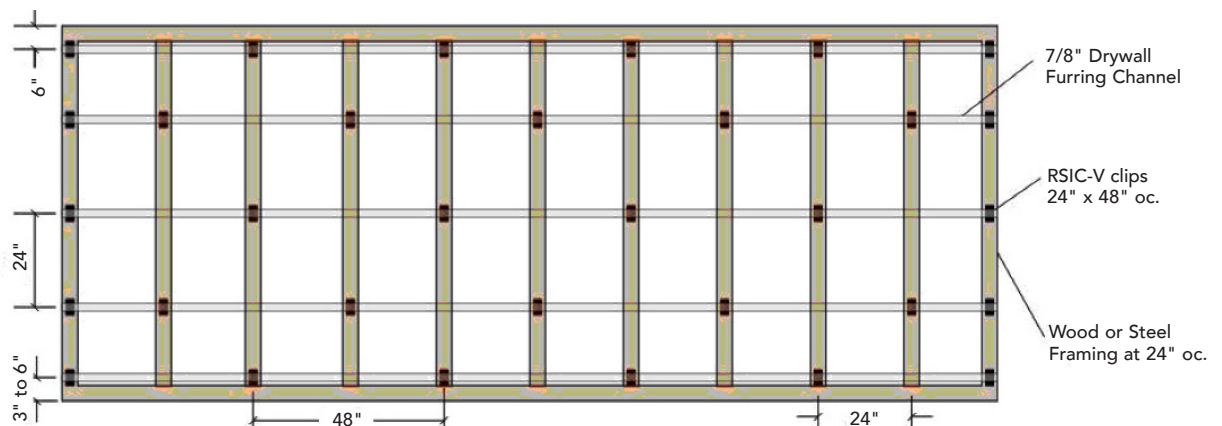
Applications Recommendations for Wall and Ceilings
Wood or Steel Framing

INSTALLING RESILIENT SOUND ISOLATION CLIPS (RSIC-V)

RSIC-V CLIPS at 24" OC.

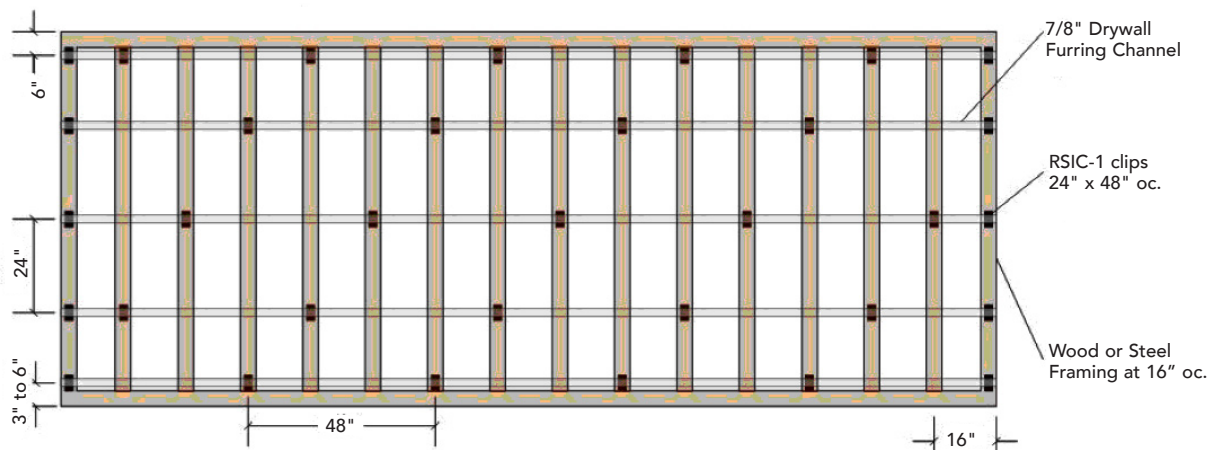
RSIC-V Wall or Ceiling System Framing at 24" OC.

RSIC-V Clips at 24" x 48" OC. 1 or 2 Layers of 5/8" Gypsum Board



RSIC-V Wall or Ceiling System Framing at 16" OC.

RSIC-V Clips at 24" x 48" OC. 1 or 2 Layers of 5/8" Gypsum Board



STOP NOISE

ACOUSTICAL | SURFACES, INC.

PAGE 4

Celebrating Over 40 Years - SOUNDPROOFING, ACOUSTICS, NOISE & VIBRATION SPECIALISTS!

952.448.5300 | 800.448.0121 | sales@acousticalsurfaces.com | www.acousticalsurfaces.com

RSIC-V™ SOUND ISOLATION CLIP

RSIC-V Clip Installation Guide Cont.

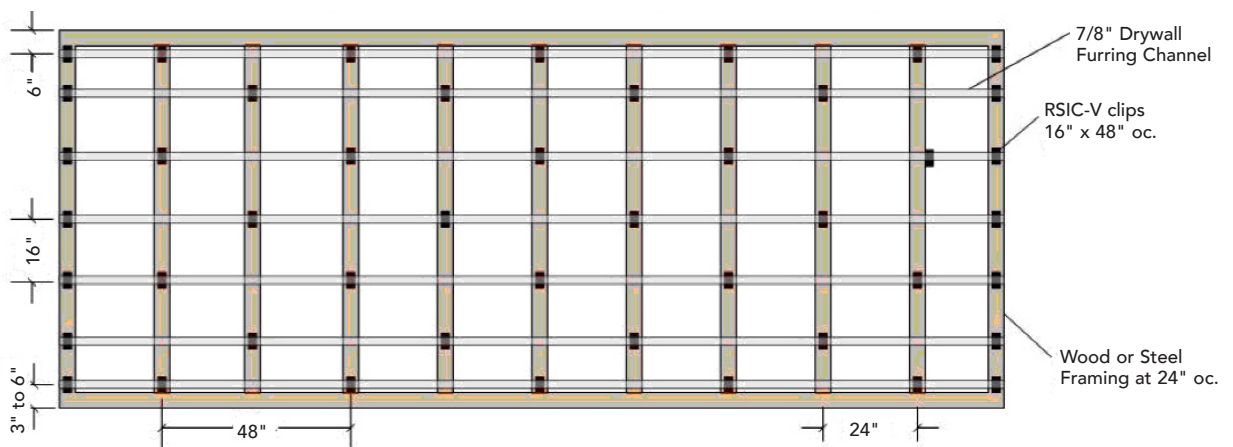
Applications Recommendations for Wall and Ceilings
Wood or Steel Framing

INSTALLING RESILIENT SOUND ISOLATION CLIPS (RSIC-V)

RSIC-V CLIPS at 16" OC.

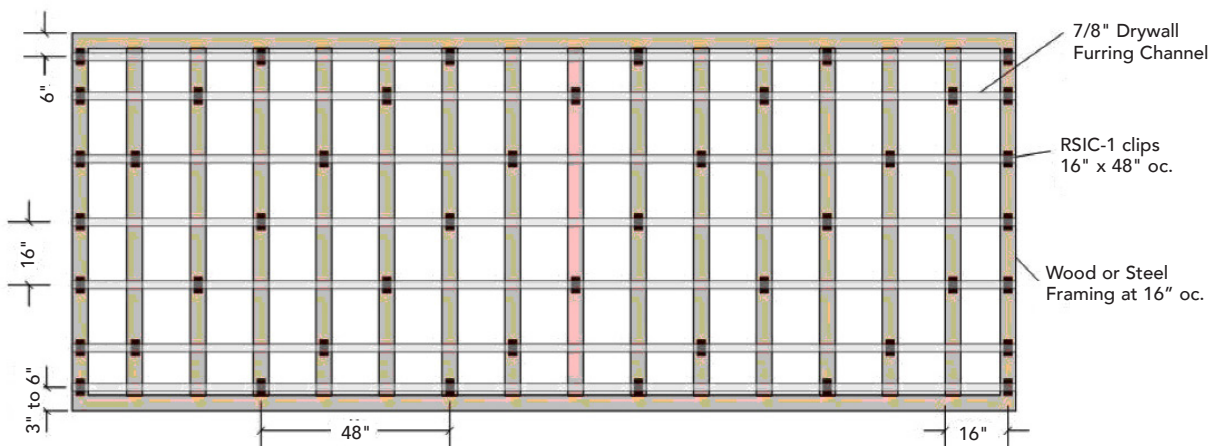
RSIC-V Wall or Ceiling System Framing at 24" OC.

RSIC-V Clips at 16" x 48" OC. 3 Layers of 5/8" Gypsum Board



RSIC-V Wall or Ceiling System Framing at 16" OC.

RSIC-V Clips at 16" x 48" OC. 3 Layers of 5/8" Gypsum Board



STOP NOISE

ACOUSTICAL SURFACES, INC.

PAGE 5

Celebrating Over 40 Years - SOUNDPROOFING, ACOUSTICS, NOISE & VIBRATION SPECIALISTS!

952.448.5300 | 800.448.0121 | sales@acousticalsurfaces.com | www.acousticalsurfaces.com

RSIC-V™ SOUND ISOLATION CLIP

RSIC-V Clip Installation Guide Cont.

Estimated RSIC Clip Usage for Walls and Ceilings, Wood or Steel Framed. (Spacing at 24" x 48" OC.)

	1-4	5-8	9-12	13-16	17-20	21-24	25-28	29-32	33-36	37-40
1-3'	4	6	8	10	12	14	16	18	20	22
3-5'	6	9	12	15	18	21	24	27	30	33
5-7'	8	12	16	20	24	28	32	36	40	44
7-9'	10	15	20	25	30	35	40	45	50	55
9-11'	12	18	24	30	36	42	48	54	60	66
11-13'	14	21	28	35	42	49	56	63	70	77
13-15'	16	24	32	40	48	56	64	72	80	88
15-17'	18	27	36	45	54	63	72	81	90	99
17-19'	20	30	40	50	60	70	80	90	100	110
19-21'	22	33	44	55	66	77	88	99	110	121
21-23'	24	36	48	60	72	84	96	108	120	132
23-25'	26	39	52	65	78	91	104	117	130	143
25-27'	28	42	56	70	84	98	112	126	140	154
27-29'	30	45	60	75	90	105	120	135	150	165
29-31'	32	48	64	80	96	112	128	144	160	176
31-33'	34	51	68	85	102	119	136	153	170	187
33-35'	36	54	72	90	108	126	144	162	180	198
35-37'	38	57	76	95	114	133	152	171	190	209
37-39'	40	60	80	100	120	140	160	180	200	220
39-41'	42	63	84	105	126	147	168	189	210	231

Note: Add 4 RISC-V at each drywall butt joint condition for optimum acoustical UL Fire Resistive assembly compliances. See UL Fire Resistive Design specifications.



ACOUSTICAL | SURFACES, INC.

PAGE 6

Celebrating Over 40 Years - SOUNDPROOFING, ACOUSTICS, NOISE & VIBRATION SPECIALISTS!
952.448.5300 | 800.448.0121 | sales@acousticalsurfaces.com | www.acousticalsurfaces.com

RSIC-V™ SOUND ISOLATION CLIP

RSIC-V Clip Installation Guide Cont.

**Estimated RSIC Clip Usage for Walls and Ceilings,
Wood or Steel Framed. (Spacing at 16" x 48" OC.)**

	1-4	5-8	9-12	13-16	17-20	21-24	25-28	29-32	33-36	37-40
1-1.3'	4	6	8	10	12	14	16	18	20	22
1.3-2.6'	6	9	12	15	18	21	24	27	30	33
2.6-4'	8	12	16	20	24	28	32	36	40	44
4-5.3'	10	15	20	25	30	35	40	45	50	55
5.3-6.6'	12	18	24	30	36	42	48	54	60	66
6.6-8'	14	21	28	35	42	49	56	63	70	77
8-9.3'	16	24	32	40	48	56	64	72	80	88
9.3-10.6'	18	27	36	45	54	63	72	81	90	99
10.6-12'	20	30	40	50	60	70	80	90	100	110
12-13.3'	22	33	44	55	66	77	88	99	110	121
13.3-14.6'	24	36	48	60	72	84	96	108	120	132
14.6-16'	26	39	52	65	78	91	104	117	130	143
16-17.3'	28	42	56	70	84	98	112	126	140	154
17.3-18.6'	30	45	60	75	90	105	120	135	150	165
18.6-20'	32	48	64	80	96	112	128	144	160	176
20-21.3'	34	51	68	85	102	119	136	153	170	187
21.3-22.6'	36	54	72	90	108	126	144	162	180	198
22.6-24'	38	57	76	95	114	133	152	171	190	209
24-25.3'	40	60	80	100	120	140	160	180	200	220
25.3-26.6'	42	63	84	105	126	147	168	189	210	231
26.6-28'	44	66	88	110	132	154	176	198	220	242
28-29.3'	46	69	92	115	138	161	184	207	230	253
29.3-30.6'	48	72	96	120	144	168	192	216	240	264
30.6-32'	50	75	100	125	150	175	200	225	250	275
32-33.3'	52	78	104	130	156	182	208	234	260	286
33.3-34.6'	54	81	108	135	162	189	216	243	270	297
34.6-36'	56	84	112	140	168	196	224	252	280	308
36-37.3'	58	87	116	145	174	203	232	261	290	319
38.6-40'	60	90	120	150	180	210	240	270	300	330
40-41.3'	62	93	124	155	186	217	248	279	310	341

Note: Add 4 RISC-V at each drywall butt joint condition for optimum acoustical UL Fire Resistive assembly compliances. See UL Fire Resistive Design specifications.



ACOUSTICAL | SURFACES, INC.

PAGE 7

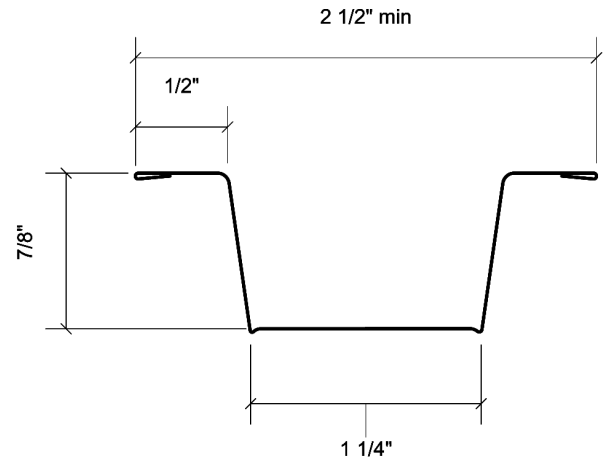
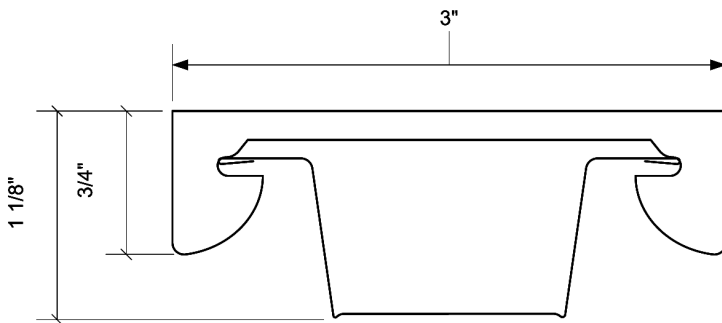
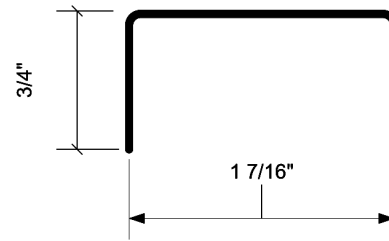
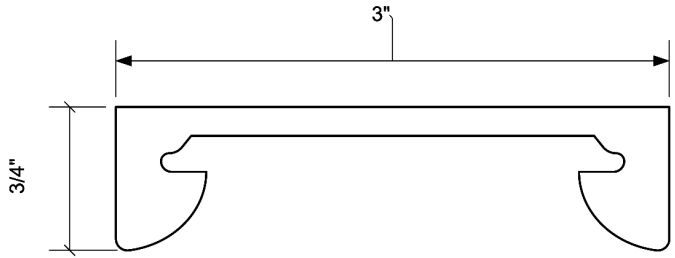
Celebrating Over 40 Years - SOUNDPROOFING, ACOUSTICS, NOISE & VIBRATION SPECIALISTS!
 952.448.5300 | 800.448.0121 | sales@acousticalsurfaces.com | www.acousticalsurfaces.com

RSIC-V™ SOUND ISOLATION CLIP

RSIC-V Clip Dimensions

PROFILE VIEW

END VIEW



ACOUSTICAL | SURFACES, INC.

PAGE 8

Celebrating Over 40 Years - SOUNDPROOFING, ACOUSTICS, NOISE & VIBRATION SPECIALISTS!
952.448.5300 | 800.448.0121 | sales@acousticalsurfaces.com | www.acousticalsurfaces.com

RSIC-V™ SOUND ISOLATION CLIP

RSIC-V Clip Warranty



The RSIC-V is the first and only product classified by UL for both fire and sound.

Members of the International Code Council

WARRANTY DISCLAIMER AND LIMITATION LANGUAGE

NO EXPRESS OR IMPLIED WARRANTIES

THERE IS NO WARRANTY, REPRESENTATION OR CONDITION OF ANY KIND, AND ANY WARRANTY, EXPRESS OR IMPLIED IS EXCLUDED AND DISCLAIMED, INCLUDING THE IMPLIED WARRANTIES OR MERCHANTABILITY AND OF FITNESS FOR A PARTICULAR PURPOSE. Some states do not allow limitations on implied warranties, so the above limitation may not apply to you.

LIABILITY LIMITED TO RETURN OF PURCHASE PRICE

IT IS AGREED THAT SELLER'S LIABILITY AND PURCHASER'S SOLE REMEDY, WHETHER IN CONTRACT, UNDER ANY WARRANTY, IN TORT (INCLUDING NEGLIGENCE), IN STRICT LIABILITY OR OTHERWISE, SHALL NOT EXCEED THE RETURN OF THE AMOUNT OF THE PURCHASE PRICE PAID BY PURCHASER, AND UNDER NO CIRCUMSTANCES SHALL SELLER BE LIABLE FOR ANY SPECIAL INCIDENTAL OR CONSEQUENTIAL DAMAGES, INCLUDING, BUT NOT LIMITED TO, PERSONAL INJURY, PROPERTY DAMAGE TO OR LOSS OF EQUIPMENT, LOST PROFITS OR REVENUE, COSTS OF RENTING REPLACEMENTS AND OTHER ADDITIONAL EXPENSES, EVEN IF SELLER HAS BEEN ADVISED OF THE POSSIBILITY OF SUCH DAMAGES. THE PRICE STATED FOR THE EQUIPMENT IS CONSIDERATION IN LIMITING THE SELLER'S LIABILITY AND PURCHASER'S REMEDY. Some states do not allow the exclusion or limitation incidental or consequential damages, so the above limitation or exclusion may not apply to you.

SELLER NOT LIABLE FOR PURCHASER'S NEGLIGENCE

SELLER WILL NOT BE LIABLE FOR ANY DAMAGES, LOSSES OR EXPENSES AS A RESULT OF PURCHASER'S NEGLIGENCE, WHETHER DEEMED ACTIVE OR PASSIVE AND WHETHER OR NOT ANY SUCH NEGLIGENCE IS THE SOLE CAUSE OF ANY SUCH DAMAGE, LOSS OR EXPENSE.

MODEL FOR DEMONSTRATION PURPOSED ONLY

THE MODEL OR SAMPLE SHOWN BY SELLER TO BUYER IS USED FOR DEMONSTRATION PURPOSES ONLY. THERE IS NO WARRANTY THAT THE GOODS AS DELIVERED SHALL CONFORM TO THE MODEL OR SAMPLE, AND CONFORMITY OF THE GOODS TO THE MODEL OR SAMPLE IS NOT PART OF THE BASIS OF THE BARGAIN BETWEEN SELLER AND BUYER.

NO WARRANTY OR COMPLIANCE WITH SAFETY CODE OR REGULATION

SELLER DOES NOT WARRANT THAT ANY OF THE GOODS SOLD WILL MEET OR COMPLY WITH THE REQUIREMENTS OF ANY SAFETY CODE, BUILDING OR DWELLING CODE, OR REGULATION OF ANY STATE, MUNICIPALITY OR OTHER JURISDICTION.

NEVADA LAW APPLIES

SELLER AND BUYER AGREE THAT ALL ASPECTS OF THIS TRANSACTION INCLUDING THE APPLICABLE STATURE OF LIMITATIONS SHALL BE GOVERNED BY THE INTERNAL LAW OF THE STATE OR NEVADA, AND NOT THE LAWS OF CONFLICTS. This warranty gives you specific legal rights, and you may also have other rights which vary state to state.



ACOUSTICAL | SURFACES, INC.

Celebrating Over 40 Years - SOUNDPROOFING, ACOUSTICS, NOISE & VIBRATION SPECIALISTS!

952.448.5300 | 800.448.0121 | sales@acousticalsurfaces.com | www.acousticalsurfaces.com