

RSIC-1.5CRC™ RESILIENT SOUND ISOLATION CLIP

RSIC-1.5CRC

Resilient Sound Isolation Clips for 1-1/2" Cold Rolled Channel

The RSIC-1.5CRC™ is designed for use with any joist or concrete application where a dropped drywall ceiling is required. This assembly decouples the Gypsum Board from the floor structure above, giving the assembly enhanced acoustical performance, while allowing for a chase to hide mechanical ducting and plumbing lines. The RSIC-1.5CRC™ Clip snaps onto cold rolled channel, allowing for all of the wires supporting the cold rolled channel to be hard connected to the ceiling above, including the vertical strut. The RSIC-1.5CRC™ decouples the Gypsum Board below the cold rolled channel to ensure a complete decoupling of the Gypsum Board for optimum noise control.



Acoustical Surfaces, Inc.
A Master Distributor for
PAC INTERNATIONAL, INC.



STOP NOISE

ACOUSTICAL | SURFACES, INC.

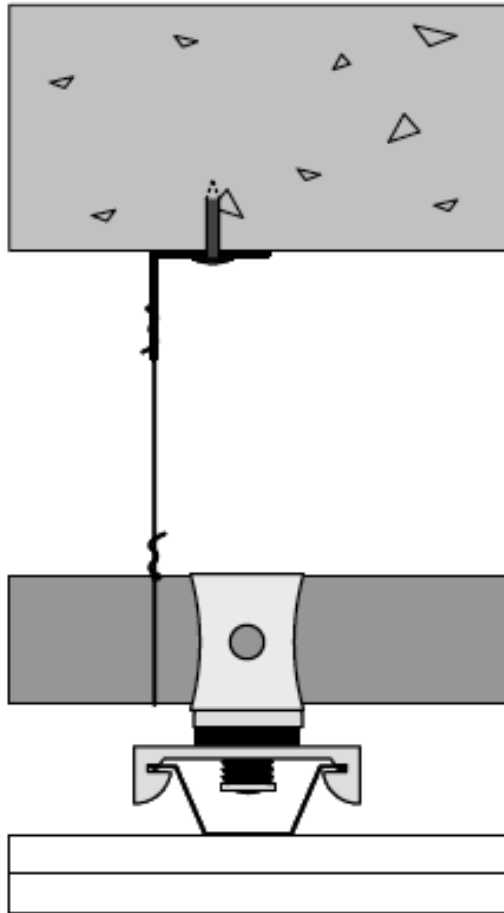
PAGE 1

Celebrating Over 40 Years - SOUNDPROOFING, ACOUSTICS, NOISE & VIBRATION SPECIALISTS!
952.448.5300 | 800.448.0121 | sales@acousticalsurfaces.com | www.acousticalsurfaces.com

RSIC-1.5CRC™ RESILIENT SOUND ISOLATION CLIP

RSIC-1.5CRC

Resilient Sound Isolation Clips for 1-1/2" Cold Rolled Channel



APPLICATIONS

Steel, condo, apartment, condo, commercial, retail, recording studio, home theater, commercial theater, conference rooms.

ACOUSTICAL DESIGN LOAD

36 Lbs.

TOTAL DEFLECTION

3 mm

DOUBLE DEFLECTION

Yes (1.5mm)

MADE WITH RECYCLED CONTENT

Yes

CRYO LOW VOC TREATED

Yes

ADJUSTABLE

Yes

CAVITY MIN

3-1/2"

CAVITY MAX

No limit

ADJUSTABLE LIMIT

Wire length

USE ON CEILINGS

Yes

USE ON WALLS

No

NEW CONSTRUCTION

Yes

RETRO FIT

Yes.

Acoustical Surfaces, Inc.
A Master Distributor for
PAC INTERNATIONAL, INC.



STOP NOISE

ACOUSTICAL | SURFACES, INC.

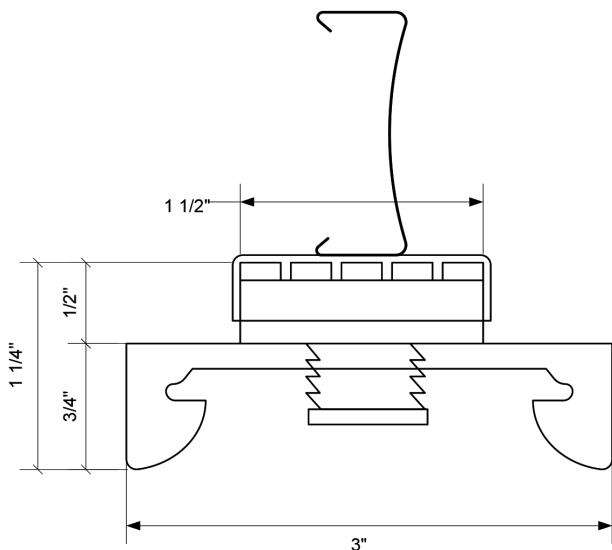
PAGE 2

Celebrating Over 40 Years - SOUNDPROOFING, ACOUSTICS, NOISE & VIBRATION SPECIALISTS!
952.448.5300 | 800.448.0121 | sales@acousticalsurfaces.com | www.acousticalsurfaces.com

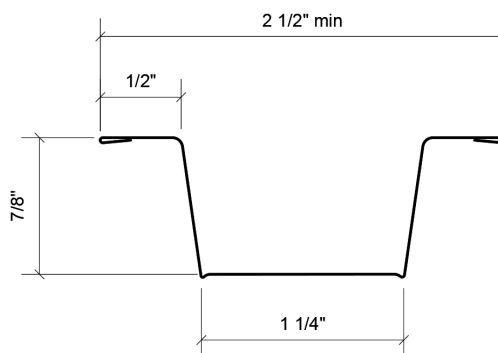
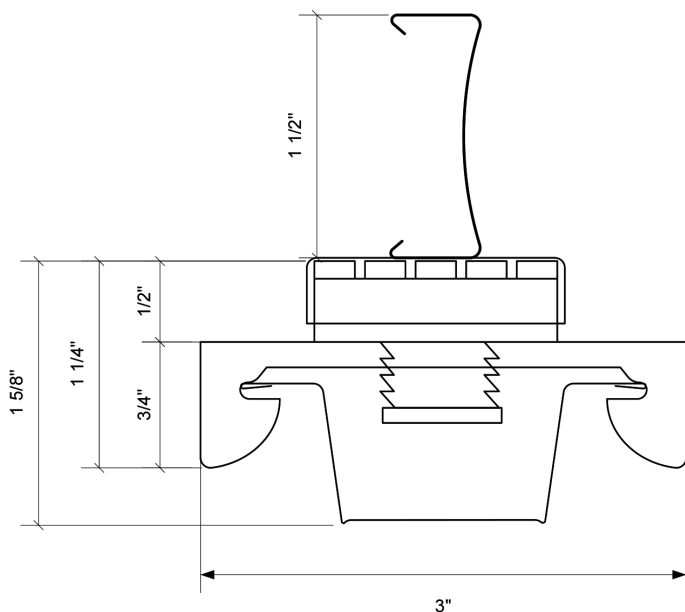
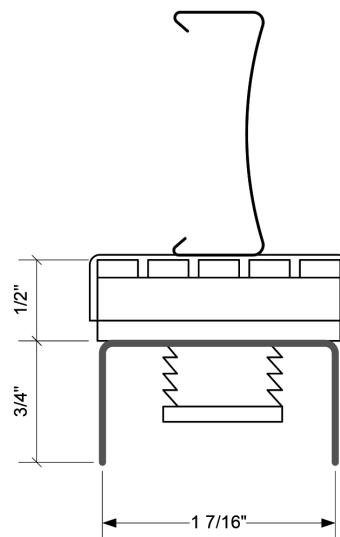
RSIC-1.5CRC™ RESILIENT SOUND ISOLATION CLIP

RSIC-1.5CRC Clip Dimensions

PROFILE VIEW



END VIEW



Acoustical Surfaces, Inc.
A Master Distributor for
PAC INTERNATIONAL, INC.



STOP NOISE

ACOUSTICAL | SURFACES, INC.

PAGE 3

Celebrating Over 40 Years - SOUNDPROOFING, ACOUSTICS, NOISE & VIBRATION SPECIALISTS!
952.448.5300 | 800.448.0121 | sales@acousticalsurfaces.com | www.acousticalsurfaces.com

RSIC-1.5CRC™ RESILIENT SOUND ISOLATION CLIP

RSIC-1.5CRC Clip Warranty



Members of the International
Code Council

WARRANTY DISCLAIMER AND LIMITATION LANGUAGE

NO EXPRESS OR IMPLIED WARRANTIES

THERE IS NO WARRANTY, REPRESENTATION OR CONDITION OF ANY KIND, AND ANY WARRANTY, EXPRESS OR IMPLIED IS EXCLUDED AND DISCLAIMED, INCLUDING THE IMPLIED WARRANTIES OF MERCHANTABILITY AND OF FITNESS FOR A PARTICULAR PURPOSE. Some states do not allow limitations on implied warranties, so the above limitation may not apply to you.

LIABILITY LIMITED TO RETURN OF PURCHASE PRICE

IT IS AGREED THAT SELLER'S LIABILITY AND PURCHASER'S SOLE REMEDY, WHETHER IN CONTRACT, UNDER ANY WARRANTY, IN TORT (INCLUDING NEGLIGENCE), IN STRICT LIABILITY OR OTHERWISE, SHALL NOT EXCEED THE RETURN OF THE AMOUNT OF THE PURCHASE PRICE PAID BY PURCHASER, AND UNDER NO CIRCUMSTANCES SHALL SELLER BE LIABLE FOR ANY SPECIAL INCIDENTAL OR CONSEQUENTIAL DAMAGES, INCLUDING, BUT NOT LIMITED TO, PERSONAL INJURY, PROPERTY DAMAGE TO OR LOSS OF EQUIPMENT, LOST PROFITS OR REVENUE, COSTS OF RENTING REPLACEMENTS AND OTHER ADDITIONAL EXPENSES, EVEN IF SELLER HAS BEEN ADVISED OF THE POSSIBILITY OF SUCH DAMAGES. THE PRICE STATED FOR THE EQUIPMENT IS CONSIDERATION IN LIMITING THE SELLER'S LIABILITY AND PURCHASER'S REMEDY. Some states do not allow the exclusion or limitation incidental or consequential damages, so the above limitation or exclusion may not apply to you.

SELLER NOT LIABLE FOR PURCHASER'S NEGLIGENCE

SELLER WILL NOT BE LIABLE FOR ANY DAMAGES, LOSSES OR EXPENSES AS A RESULT OF PURCHASER'S NEGLIGENCE, WHETHER DEEMED ACTIVE OR PASSIVE AND WHETHER OR NOT ANY SUCH NEGLIGENCE IS THE SOLE CAUSE OF ANY SUCH DAMAGE, LOSS OR EXPENSE.

MODEL FOR DEMONSTRATION PURPOSED ONLY

THE MODEL OR SAMPLE SHOWN BY SELLER TO BUYER IS USED FOR DEMONSTRATION PURPOSES ONLY. THERE IS NO WARRANTY THAT THE GOODS AS DELIVERED SHALL CONFORM TO THE MODEL OR SAMPLE, AND CONFORMITY OF THE GOODS TO THE MODEL OR SAMPLE IS NOT PART OF THE BASIS OF THE BARGAIN BETWEEN SELLER AND BUYER.

NO WARRANTY OR COMPLIANCE WITH SAFETY CODE OR REGULATION

SELLER DOES NOT WARRANT THAT ANY OF THE GOODS SOLD WILL MEET OR COMPLY WITH THE REQUIREMENTS OF ANY SAFETY CODE, BUILDING OR DWELLING CODE, OR REGULATION OF ANY STATE, MUNICIPALITY OR OTHER JURISDICTION.

NEVADA LAW APPLIES

SELLER AND BUYER AGREE THAT ALL ASPECTS OF THIS TRANSACTION INCLUDING THE APPLICABLE STATURE OF LIMITATIONS SHALL BE GOVERNED BY THE INTERNAL LAW OF THE STATE OF NEVADA, AND NOT THE LAWS OF OTHER STATES. This warranty gives you specific legal rights, and you may also have other rights which vary state to state.



ACOUSTICAL | SURFACES, INC.

PAGE 4

Celebrating Over 40 Years - SOUNDPROOFING, ACOUSTICS, NOISE & VIBRATION SPECIALISTS!
952.448.5300 | 800.448.0121 | sales@acousticalsurfaces.com | www.acousticalsurfaces.com