

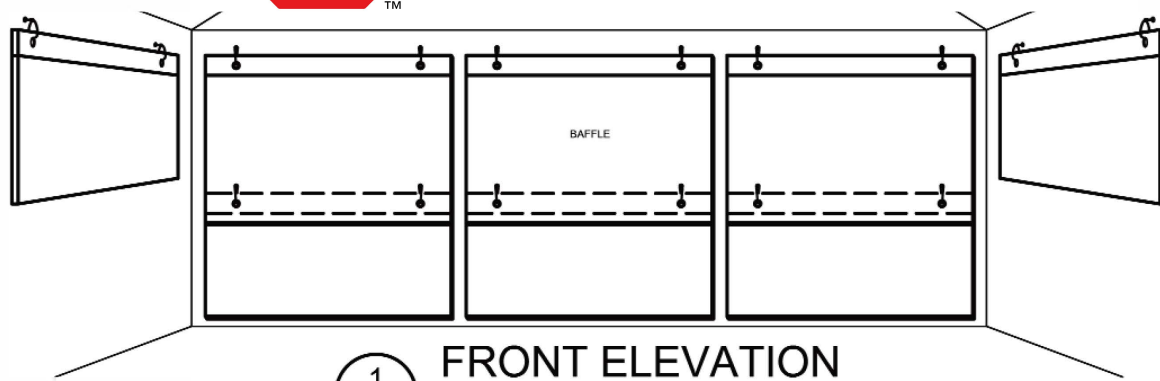
**STOP NOISE**

**ACOUSTICAL**

**SURFACES INC.**

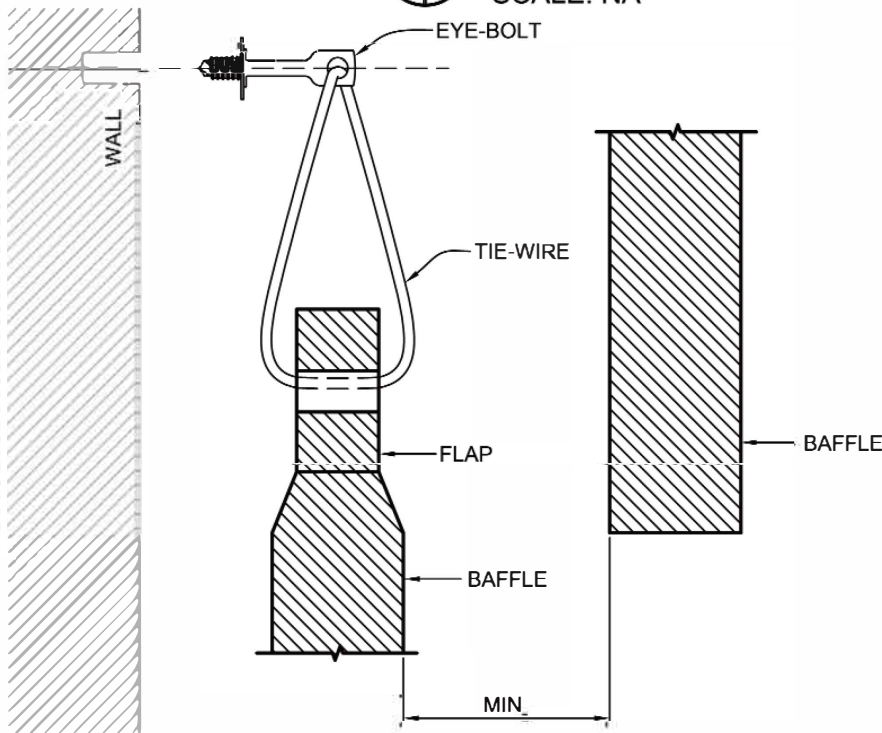
Sound Solutions for Over 40 Years

Soundproofing | Acoustics | Noise & Vibration Control



**FRONT ELEVATION**

SCALE: NA



**NOTES:**

- 1) BAFFLE ATTACHED TO EYEBOLTS WITH AIR SPACE FOR INCREASED ACOUSTICAL ABSORPTION. ATTACHMENT IS MADE WITH TIE WRAPS, TIE WIRES, OR APPROPRIATE FASTENERS.
- 2) TIE-WIRE TO BE SNUGGED UP TIGHT TO CABLE SO TO PREVENT SLIPPAGE.



**ATTACHMENT DETAIL**

SCALE: NA