

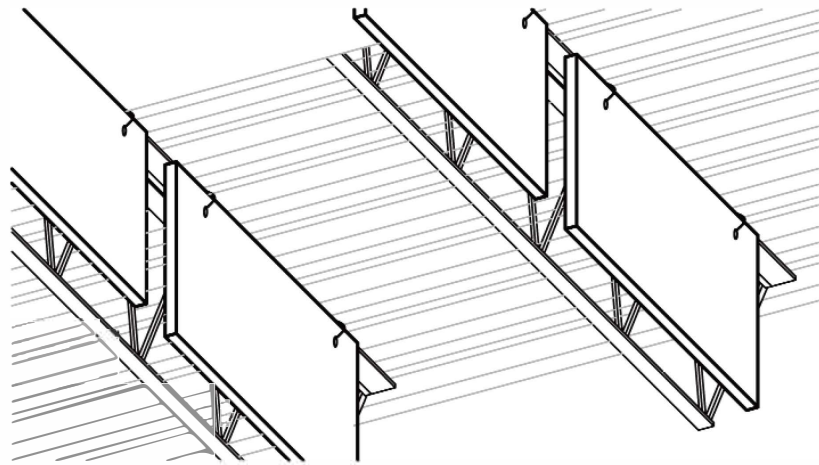
STOP NOISE

ACOUSTICAL

SURFACES INC.

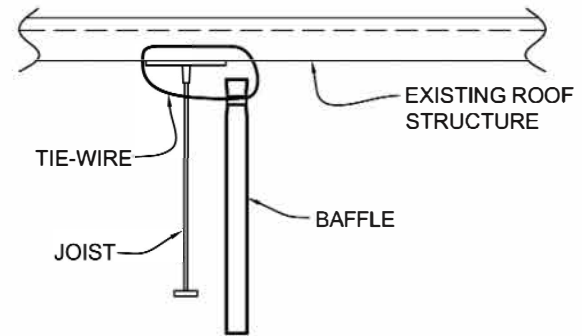
Sound Solutions for Over 40 Years

Soundproofing | Acoustics | Noise & Vibration Control



VIEW FROM BELOW

SCALE: NA

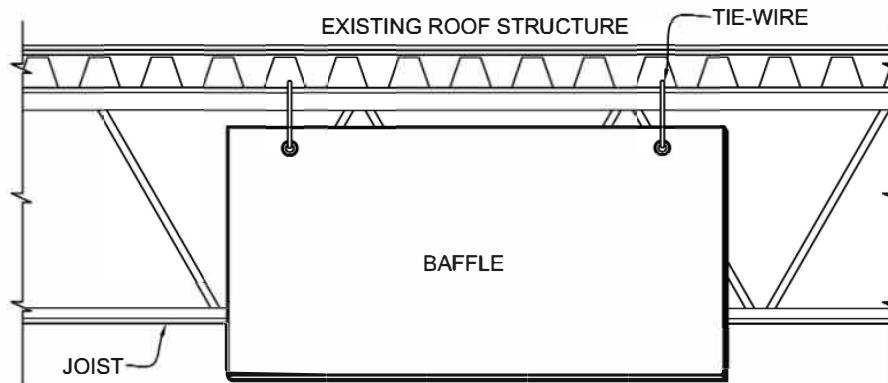


NOTE:
DETAIL DRAWN TO SHOW
SUSPENSION ATTACHMENTS
ONLY. IT IS NOT REPRESENTATIVE
OF AN ACTUAL INSTALLATION.



SIDE ELEVATION

SCALE: NA



SIDE ELEVATION

SCALE: NA

NOTES:

1) TIE-WIRES ARE ANCHORED TO BOTTOM CORD OF JOIST.

2) TIE-WIRE TO BE SNUGGED UP TIGHT SO TO PREVENT SLIPPAGE.