



Acoustical Surfaces, Inc.

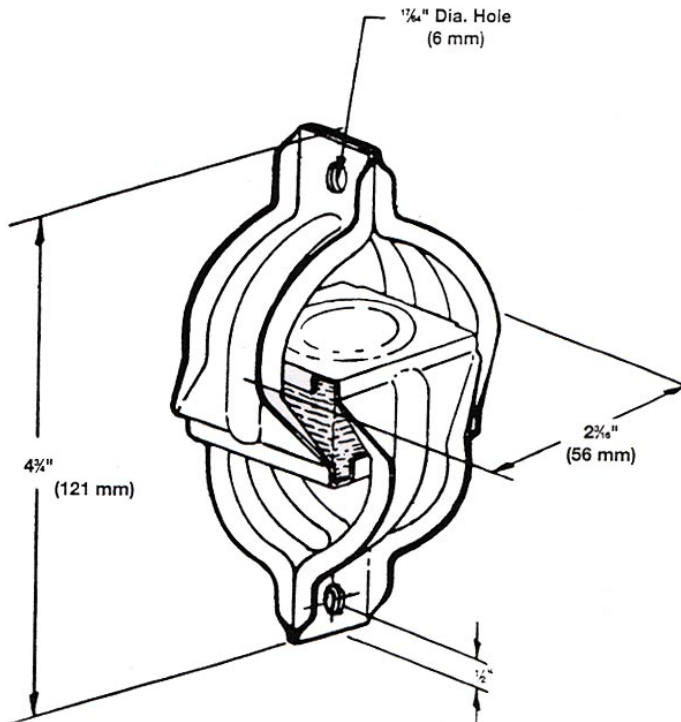
Soundproofing, Acoustics, Noise & Vibration Control Specialists

123 Columbia Court North • Suite 201 • Chaska, MN 55318
 (952) 448-5300 • Fax (952) 448-2613 • (800) 448-0121

Email: sales@acousticalsurfaces.com
 Visit our Website: www.acousticalsurfaces.com

We Identify and **S.T.O.P.** Your Noise Problems

ISOLATION HANGERS™



Specifications: Hangers shall consist of a fiber glass isolator encased in an anti-short circuit reinforced steel bracket which will accommodate up to #8 suspension wire or a 1/4" (6.35 mm) bolt or screw.

The fiber glass isolator shall be 1" (25 mm) thick, precompressed, molded fiber glass composed of fiber glass produced by a multiple flame attenuation process which generates nominal fiber diameters not to exceed 0.00022" (5.6 microns) and shall have been stabilized by precompression ten (10) times to three (3) times the maximum rated load of the material used.

The hanger assembly shall be zinc-plated reinforced steel and shall carry a five (5) times maximum rated load overload without failure. Hangers shall be Model AF.

	Hanger Model	Load Range	Max. Deflection
English	AF-100	20-100 lbs.	0.27"
Units	AF-200	50-200 lbs.	0.18"
Metric	AF-100	9-46 kg	6 mm
Units	AF-200	23-91 kg	4 mm

Features

- Permanently resilient fiber glass isolator pad
- Constant natural frequency in wide load range
- Load capacities 20 lbs. to 200 lbs. (9 kg to 91 kg)
- 500% overload fail-safe assembly