



Acoustical Surfaces, Inc.

SOUNDPROOFING, ACOUSTICS, NOISE & VIBRATION CONTROL SPECIALISTS

123 Columbia Court North • Suite 201 • Chaska, MN 55318

(952) 448-5300 • Fax (952) 448-2613 • (800) 448-0121

Email: sales@acousticalsurfaces.com

Visit our Website: www.acousticalsurfaces.com

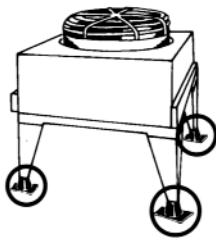
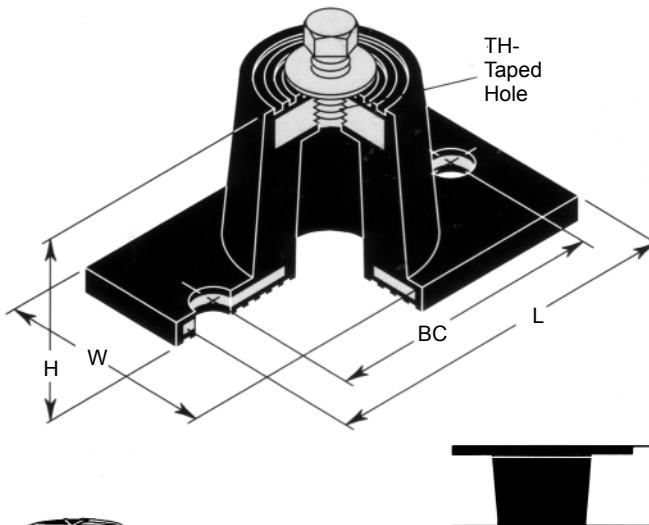
We Identify and S.T.O.P. Your Noise Problem

Neoprene Isolators

For Even Better Isolation

Prevent noise and high frequency vibration from being transmitted to the support structure and local environment by mounting equipment on **Neoprene Isolators**. With more than three times the static deflection of pads, double deflection neoprene isolators notably improve vibration control. Isolated equipment runs quieter and more reliably with less internal wear.

ND Neoprene Mounts



Bolting is not necessary on most installations. When the equipment has a flush drain pan or tank on the bottom, mounts can be inverted as shown so the base plate provides support over a larger area.

ND Mounts perform best when placed under equipment located on ground support concrete slabs, above stiff support walls and columns and rigid upper building spans.

Type ND Neoprene Mounts are designed for both high static deflections and simplified installation. The rubber is loaded in both shear and compression to provide rubber in shear performance as well as overload protection. They are one piece molded assemblies with skid resistant rubber ridged base plates and circular rubber ridged tops. The complete neoprene covering of the metal parts provides corrosion protection in either humid indoor or outdoor service.

ND DOUBLE DEFLECTION NEOPRENE MOUNTS

Type & Size	Max. Capacity (lbs)	Max. Static Defl (in)	Hardness (durometer)	Dimensions (inches)			
				H	L	W	BC TH
ND-A-Black	45		30				
ND-A-Green	75	0.35	40	1 1/2	33/16	111/16	23/8 5/16 -18
ND-A-Red	125		50				
ND-B-Black	100		30				
ND-B-Green	150		40				
ND-B-Red	235	0.40	50	1 7/8	37/8	25/16	3 3/8 -16
ND-B-White	380		60				
ND-B-Yellow	600		70				
ND-C-Green	260		40				
ND-C-Red	400	0.50	50	2 3/4	5 1/2	35/16	4 1/8 1/2 -13
ND-C-White	600		60				

Use double deflection neoprene mounts to isolate equipment having slowest rotational component speeds above 1200 RPM that are located in non-critical areas. When equipment is located on wide vibration sensitive spans, higher deflection spring isolators are generally required to cancel the effect of the floor span's deflection.