



**Acoustical Surfaces, Inc.**

123 Columbia Court North, Suite 201  
Chaska, MN 55318  
Tel: (952)-448-5300  
Fax: (952)-448-2813  
1-(800)-854-2918  
www.acousticalsurfaces.com  
sales@acousticalsurfaces.com

File No.  
81B.DWG

Issue Date  
5/25/2010

Revised

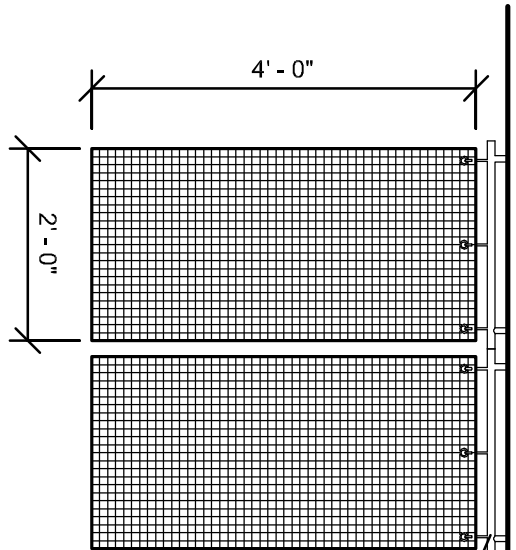
Drawn By  
MTH

Checked By

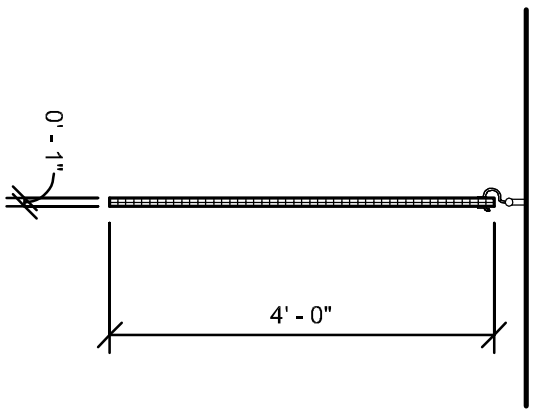
PROJECT

DRAWING TITLE  
8LB CEILING  
BAFFLE

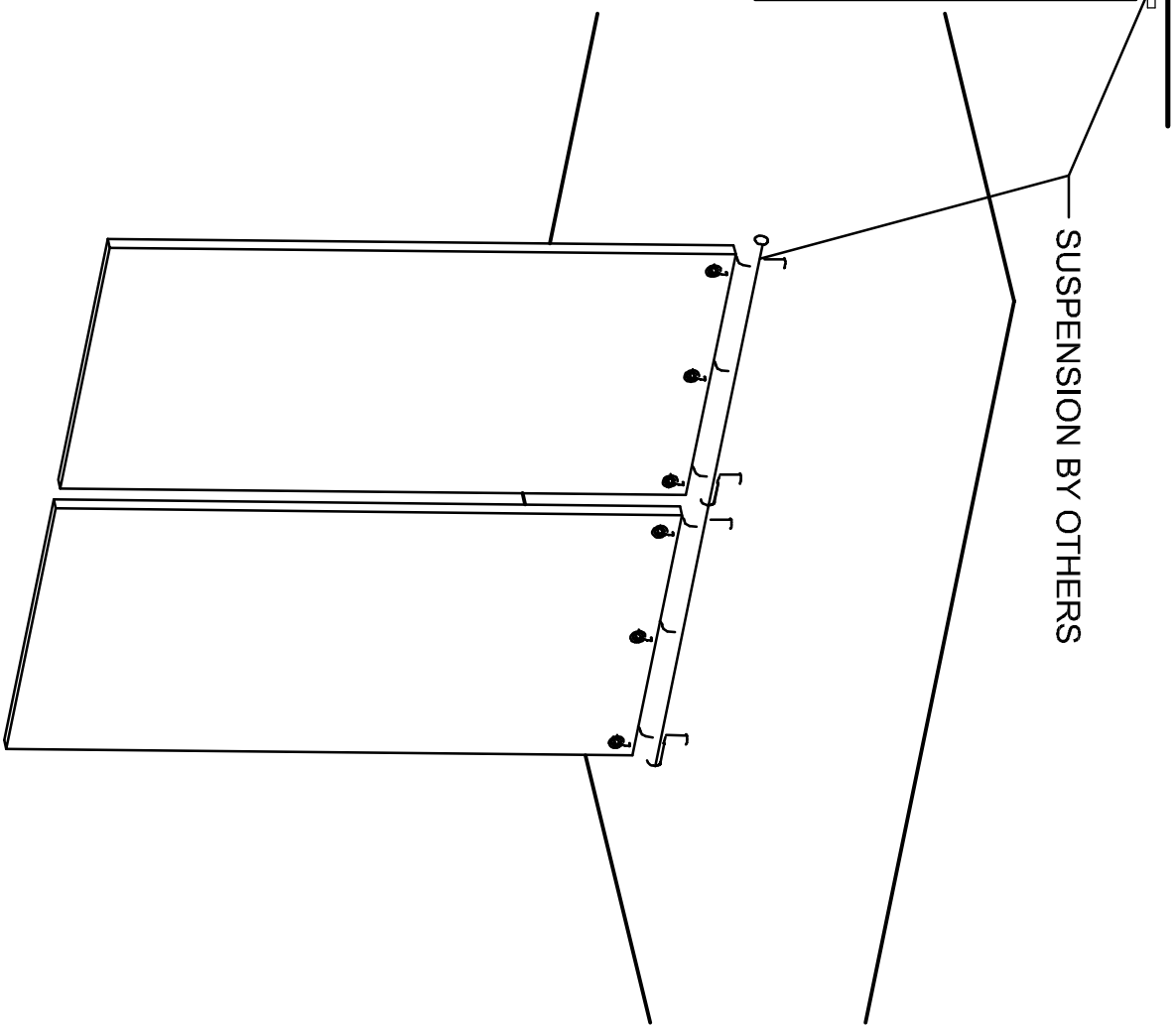
DRAWING NO.  
**AS1.0**



**1** FRONT ELEVATION  
1/2"=1'-0"



**2** SIDE ELEVATION  
1/2"=1'-0"



**3** PERSPECTIVE  
N.T.S.