

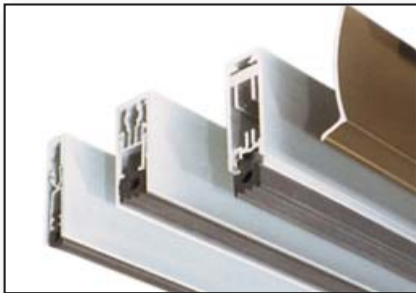


**ACOUSTICAL**

**SURFACES INC.**

Sound Solutions for Over 35 Years

Soundproofing | Acoustics | Noise & Vibration Control



## ADJUSTABLE DOOR SEALS

### Surface Mounted Automatic Doors Seals

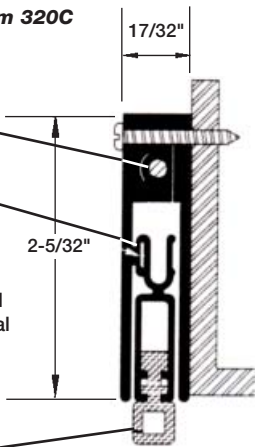
- Reduces Sound Through Door Units
- Economical
- Easy to Install
- Durable

#### Kit 1- Standard

**Automatic Door Bottom 320C**  
**320C**

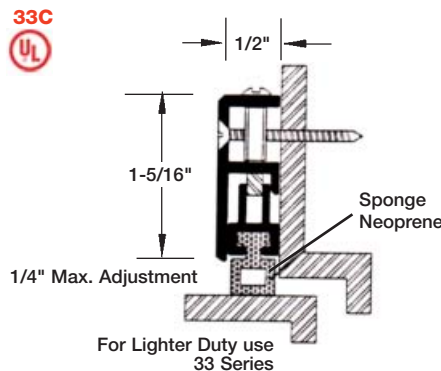


- Adjusting screw
- File Seal
- Full case reversible without changing mechanism
- Radiation shielding lead bars available on special order
- Minimum size 24"
- Maximum size 48"
- Maximum drop 3/4"
- Sponge Neoprene



**Adjustable Jamb Seal 33C**

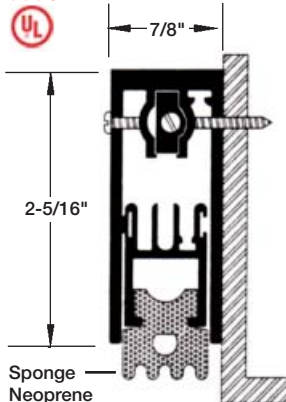
(3 piece set 2 - 7' long & 1 - 3' long)



#### Kit 2- Heavy Duty

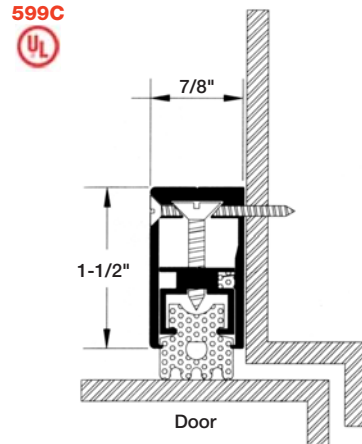
**Automatic Door Bottom 330C**

**330C**



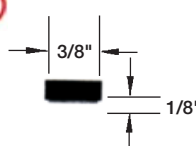
**Adjustable Jamb Seal 599C**

(3 piece set 2 - 7' long & 1 - 3' long)

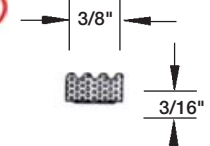


#### Door Frame Sound Gaskets

**631** — 1/8" x 3/8" x 50 ft.



**629** — 3/16" x 3/8" x 100 ft. or 300 ft.



**Please Note:** Door bottoms are not designed to seal directly on carpet. For best results door bottoms should seal on a solid surface. The solid surface should be positioned above the level of the floor covering on either side of the door.

Continued on next page...



**Automatic Door Bottom – Anodized Aluminum Color Choices**



Clear

Dark Bronze

Gold

**Automatic Door Bottom – Acoustical Performance STC in Accordance with ASTM E90-75**

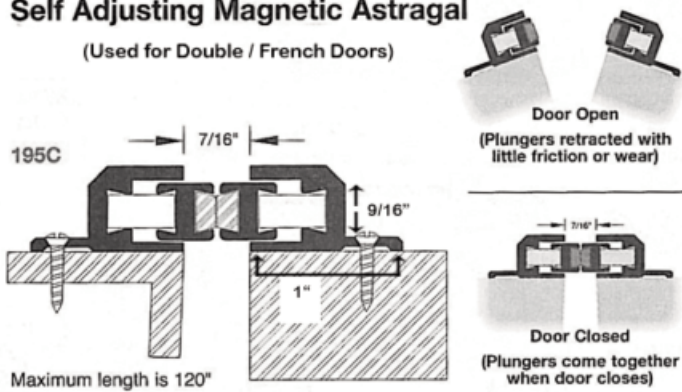
| Model                 | Door Caulked Shut STC | With Door Bottom STC |
|-----------------------|-----------------------|----------------------|
| 320C – No Threshold   | 32                    | 28                   |
| 330C – No Threshold   | 44                    | 37                   |
| 330C – With Threshold | 51                    | 43                   |

NOTE: Standard 1-3/4" Solid Core Door  
 5 lbs/sf STC – 22 (No Seals), 33 (With Door Seals)  
 7 lbs/sf STC – 46



**Self Adjusting Magnetic Astragal**

(Used for Double / French Doors)



**Mortised Door Seal**

(Adjustable Hidden Door Seal)

