



Acoustical Surfaces, Inc.

SOUNDPROOFING, ACOUSTICS, NOISE & VIBRATION CONTROL SPECIALISTS

123 Columbia Court North • Suite 201 • Chaska, MN 55318

(952) 448-5300 • Fax (952) 448-2613 • (800) 448-0121

Email: sales@acousticalsurfaces.com

Visit our Website: www.acousticalsurfaces.com

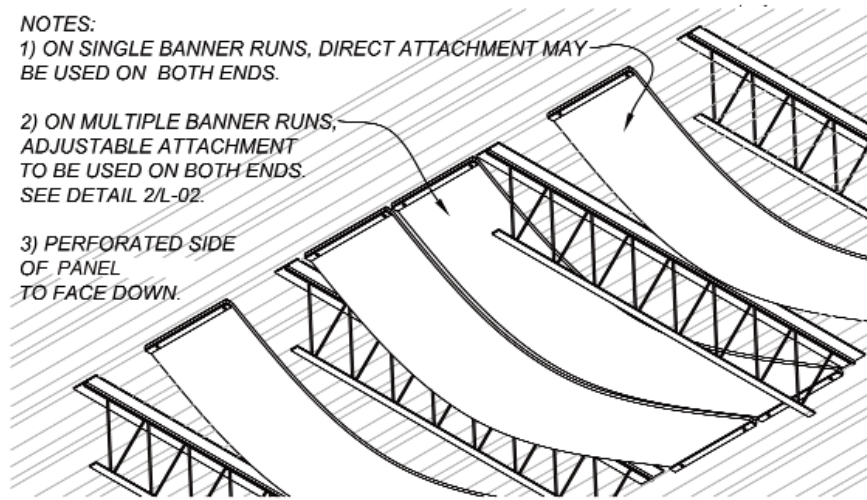
We Identify and **S.T.O.P.** Your Noise Problems

NOTES:

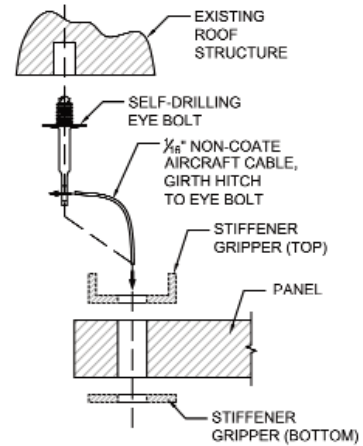
1) ON SINGLE BANNER RUNS, DIRECT ATTACHMENT MAY BE USED ON BOTH ENDS.

2) ON MULTIPLE BANNER RUNS, ADJUSTABLE ATTACHMENT TO BE USED ON BOTH ENDS. SEE DETAIL 2/L-02.

3) PERFORATED SIDE OF PANEL TO FACE DOWN.

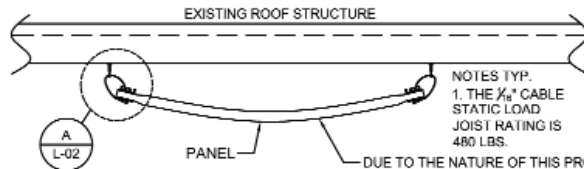


1 VIEW FROM BELOW
SCALE: NA



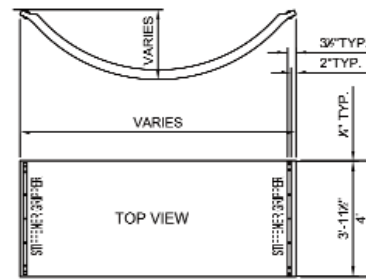
A HARDWARE ATTACHMENT DETAIL
SCALE: NA

NOTE: DETAIL DRAWN TO SHOW SUSPENSION ATTACHMENTS ONLY. IT IS NOT REPRESENTATIVE OF AN ACTUAL INSTALLATION.



2 PANEL - TYP. END ATTACHMENT DETAIL
SCALE: NA

NOTES TYP.
1. THE 1/8" CABLE STATIC LOAD JOIST RATING IS 480 LBS.
DUE TO THE NATURE OF THIS PRODUCT, FESTOON DEPTH MAY VARY. AIRCRAFT CABLE ADJUSTMENTS MAY BE NECESSARY.



NOTE: MIN. FESTOON DEPTH REQUIREMENTS ARE DEPENDENT ON THE OVERALL LENGTH OF THE PANEL.

B STIFFENER/GRIPPER DETAIL
SCALE: NA

Revisions:		
No.	Date	Description

Sheet Description:
Direct Attachment to Roof Deck

Drawn By:	CPB
Checked By:	-
Approved By:	-

Date:	08/13/10
Scale:	VARIABLES
Drawing Ref:	None
Drawing:	L-02