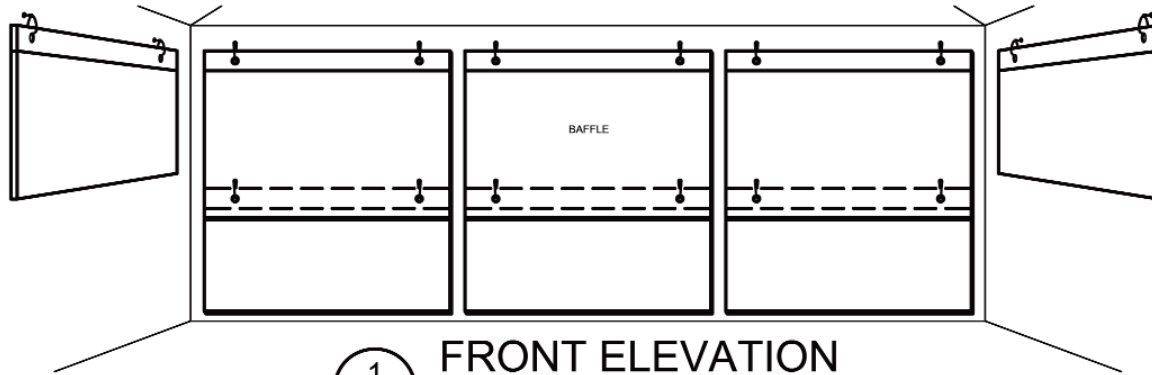




# Acoustical Surfaces, Inc.

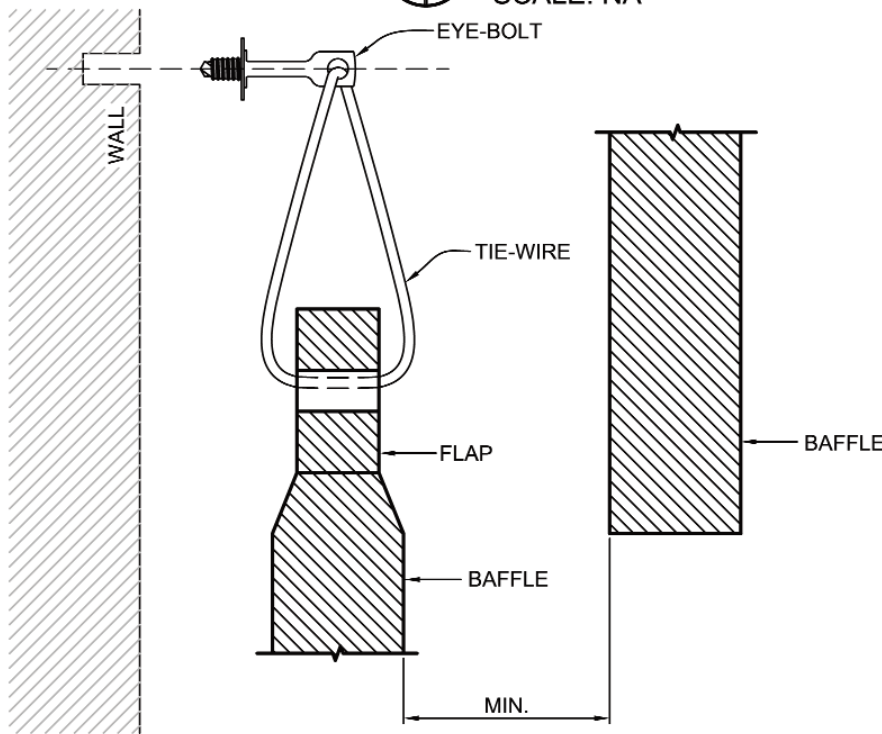
SOUNDPROOFING, ACOUSTICS, NOISE & VIBRATION CONTROL SPECIALISTS  
 123 Columbia Court North • Suite 201 • Chaska, MN 55318  
 (952) 448-5300 • Fax (952) 448-2813 • (800) 448-0121  
 Email: sales@acousticalsurfaces.com  
 Visit our Website: [www.acousticalsurfaces.com](http://www.acousticalsurfaces.com)

We Identify and **S.T.O.P.** Your Noise Problems



## FRONT ELEVATION

SCALE: NA



### NOTES:

- 1) BAFFLE ATTACHED TO EYEBOLTS WITH AIR SPACE FOR INCREASED ACOUSTICAL ABSORPTION. ATTACHMENT IS MADE WITH TIE WRAPS, TIE WIRES, OR APPROPRIATE FASTENERS.
- 2) TIE-WIRE TO BE SNUGGED UP TIGHT TO CABLE SO TO PREVENT SLIPPAGE.



## ATTACHMENT DETAIL

SCALE: NA