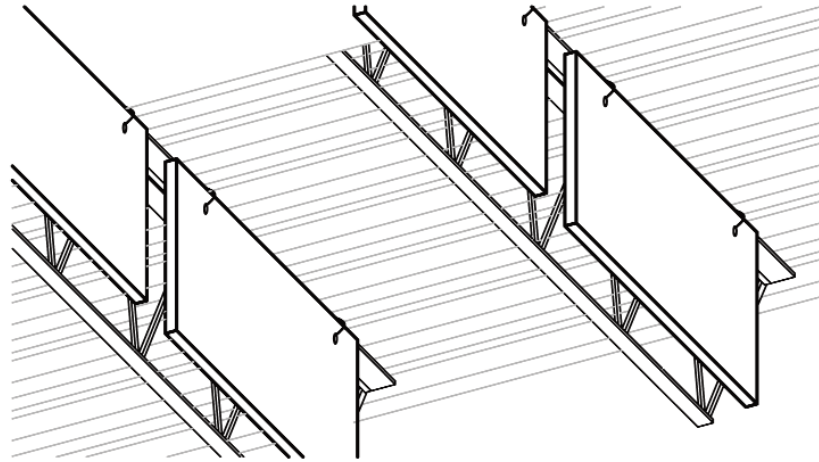




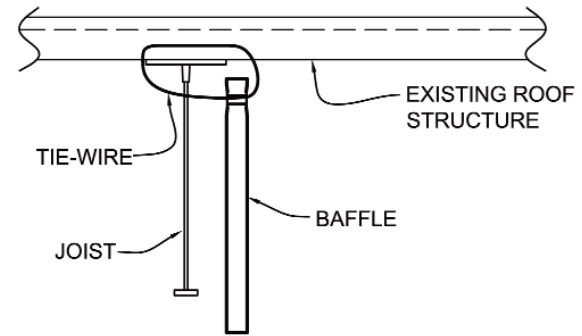
Acoustical Surfaces, Inc.

SOUNDPROOFING, ACOUSTICS, NOISE & VIBRATION CONTROL SPECIALISTS
 123 Columbia Court North • Suite 201 • Chaska, MN 55318
 (952) 448-5300 • Fax (952) 448-2813 • (800) 448-0121
 Email: sales@acousticalsurfaces.com
 Visit our Website: www.acousticalsurfaces.com

We Identify and S.T.O.P. Your Noise Problems

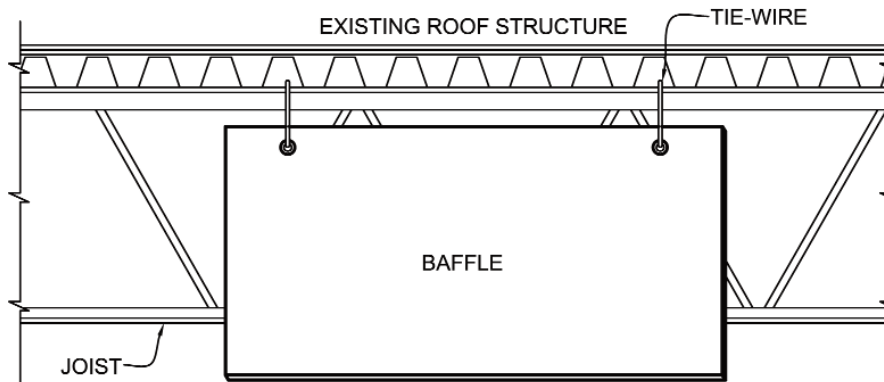


1
 CL-3B | CL-3B
VIEW FROM BELOW
 SCALE: NA



NOTE:
 DETAIL DRAWN TO SHOW
 SUSPENSION ATTACHMENTS
 ONLY. IT IS NOT REPRESENTATIVE
 OF AN ACTUAL INSTALLATION.

2
 CL-3B | CL-3B
SIDE ELEVATION
 SCALE: NA



3
 CL-3B | CL-3B
SIDE ELEVATION
 SCALE: NA

- NOTES:**
- 1) TIE-WIRES ARE ANCHORED TO BOTTOM CORD OF JOIST.
 - 2) TIE-WIRE TO BE SNUGGED UP TIGHT SO TO PREVENT SLIPPAGE.