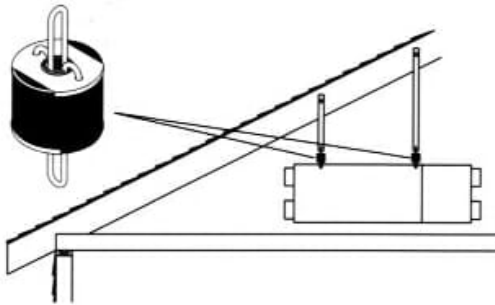
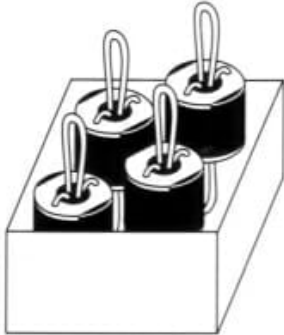


# WHRK - Neoprene Hangers for Furnaces & Air Handlers Kit



WHRK Neoprene Hangers are an inexpensive but effective method of reducing noise and minor vibration transmission for furnaces or air handlers.

WHRK neoprene rubber hanger kits come packaged with 4 WHR Hangers and installation instructions.

## WHRK Hangers

Type & Size (Durometer)	Max Load (lbs)	Rated Deflection (in)	Color Mark
WHRK-40	240 lbs	0.20"	Green
WHRK-50	380 lbs	0.20"	Red
WHRK-60	620 lbs	0.20"	White
WHRK-70	880 lbs	0.20"	Yellow



**ACOUSTICAL | SURFACES, INC.**

PAGE 1

*Celebrating Over 40 Years - SOUNDPROOFING, ACOUSTICS, NOISE & VIBRATION SPECIALISTS!*

952.448.5300 | 800.448.0121 | [sales@acousticalsurfaces.com](mailto:sales@acousticalsurfaces.com) | [www.acousticalsurfaces.com](http://www.acousticalsurfaces.com)

# IMF Simple Spring Mounts - Unhoused

## IMF 1" DEFLECTION - NO-ADJUSTMENT SPRING MOUNTS\*

Type & Size	Rated Capacity	Rated Deflection	Mount Constant	Spring Color/Stripe	A	Dimensions B	Free Height
IMF-X-12	12 lbs	1.25"	10 lbs/in	Orange			
IMF-X-23	23 lbs	1.30"	18 lbs/in	Brown			
IMF-X-33	33 lbs	1.10"	30 lbs/in	Red			
IMF-X-54	54 lbs	1.20"	45 lbs/in	White			
IMF-X-76	76 lbs	1.02"	73 lbs/in	Black	2"	7/16"	2-3/4"
IMF-X-113	113 lbs	1.00"	113 lbs/in	Yellow			
IMF-X-130	130 lbs	1.00"	130 lbs/in	Purple			
IMF-X-175	175 lbs	1.00"	175 lbs/in	Silver			
IMF-X-210	210 lbs	1.00"	210 lbs/in	Blue			
IMF-A-12	12 lbs	1.00"	12 lbs/in	Red			
IMF-A-18	18 lbs	1.00"	18 lbs/in	Gray	2-1/8"	7/16"	2-1/4"
IMF-A-25	25 lbs	1.00"	25 lbs/in	Orange			
IMF-A-45	45 lbs	1.60"	28 lbs/in	Blue			
IMF-A-75	75 lbs	1.50"	50 lbs/in	Orange			
IMF-A-125	125 lbs	1.33"	94 lbs/in	Brown	2-1/8"	7/16"	3-3/8"
IMF-A-200	200 lbs	1.15"	174 lbs/in	Black			
IMF-A-310	310 lbs	1.00"	310 lbs/in	Yellow			
IMF-A-400	400 lbs	1.00"	400 lbs/in	Green			
IMF-A-510	510 lbs	1.00"	210 lbs/in	Red	2-1/8"	7/16"	3-3/4"
IMF-A-625	625 lbs	1.00"	625 lbs/in	White			

3/4" Minimum Deflection\*

## IMF 2" DEFLECTION - NO-ADJUSTMENT SPRING MOUNTS\*

Type & Size	Rated Capacity	Rated Deflection	Mount Constant	Spring Color/Stripe	A	Dimensions B	Free Height
IMF-B-20	20 lbs	2.40"	8 lbs/in	Tan			
IMF-B-26	26 lbs	2.18"	12 lbs/in	White/Blue			
IMF-B-35	35 lbs	2.20"	16 lbs/in	Purple			
IMF-B-50	50 lbs	2.20"	24 lbs/in	White/Red			
IMF-B-65	65 lbs	2.10"	31 lbs/in	Brown	2-3/4"	7/8"	5"
IMF-B-85	85 lbs	2.10"	40 lbs/in	White/Black			
IMF-B-115	115 lbs	2.00"	57 lbs/in	Silver			
IMF-B-150	150 lbs	2.00"	75 lbs/in	Orange			
IMF-B2-210	210 lbs	2.12"	99 lbs/in	Silver			
IMF-B2-290	290 lbs	2.00"	144 lbs/in	Blue			
IMF-B2-450	450 lbs	2.00"	224 lbs/in	Tan	2-3/4"	7/8"	5-3/8"

1-1/2" Minimum Deflection\*



**ACOUSTICAL | SURFACES, INC.**

PAGE 2

*Celebrating Over 40 Years - SOUNDPROOFING, ACOUSTICS, NOISE & VIBRATION SPECIALISTS!*

952.448.5300 | 800.448.0121 | sales@acousticalsurfaces.com | www.acousticalsurfaces.com