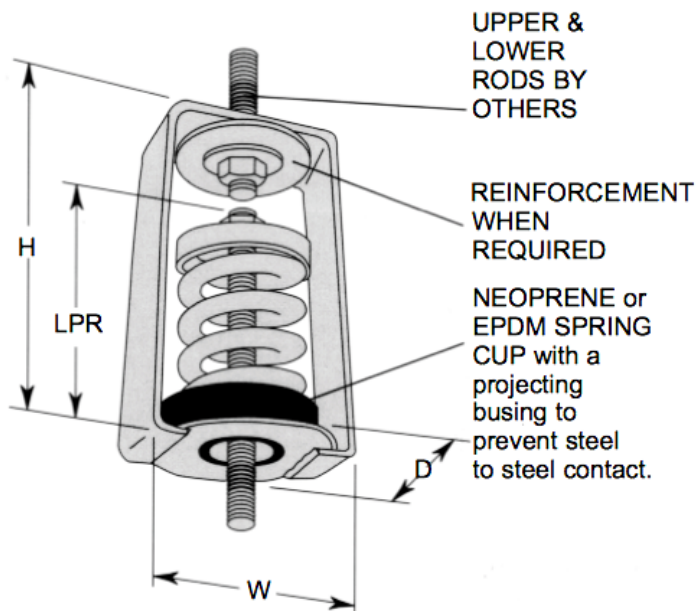


# HS Spring Hangers

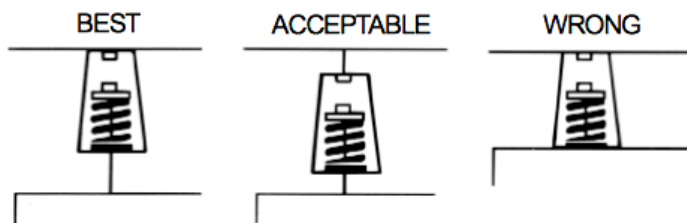


High Deflection Spring Hangers provide far greater vibration control than the lower deflection neoprene hangers. Each powder coated steel spring is in series with a neoprene cup, providing excellent isolation efficiency. The spring serves to isolate a broad range of disturbing vibration frequencies, while the rubber cup is a high frequency or noise break.

All box type spring hangers are available precompressed from the factory with a scale for adjusting spring tension. They are similar to SLR restrained mounts in that they can be adjusted to limit vertical movement caused by weight changes during system start up, maintenance and seismic events. Spring hanger mount vibration isolators are also available with eyebolts top and bottom.

## HS HANGER INSTALLATION

Install hangers with gap on underside as shown. This allows the spring hanger mount vibration isolators to operate efficiently. The gaps also compensate for minor misalignment. Direct contact of the unit and hanger box "short circuits" the isolation.



**ACOUSTICAL | SURFACES, INC.**

PAGE 1

*Celebrating Over 40 Years - SOUNDPROOFING, ACOUSTICS, NOISE & VIBRATION SPECIALISTS!*

952.448.5300 | 800.448.0121 | sales@acousticalsurfaces.com | www.acousticalsurfaces.com

# HS Spring Hangers

LRP - Lower Rod Penetration  
MRD - Maximum Rod Dia.

## HS 1" DEFLECTION SPRING HANGERS\*

Type & Size	Rated Capacity	Rated Deflection	Mount Constant	Spring Color/Stripe	Dimensions				
					D	H	W	LRP	MRD
HS-X-12	12 lbs	1.25"	10 lbs/in	Orange	2-1/2"	4-1/4"	2-7/8"	3-1/2"	3/8"
HS-X-23	23 lbs	1.30"	18 lbs/in	Brown					
HS-X-33	33 lbs	1.10"	30 lbs/in	Red					
HS-X-54	54 lbs	1.20"	45 lbs/in	White					
HS-X-76	76 lbs	1.02"	73 lbs/in	Black					
HS-X-113	113 lbs	1.00"	113 lbs/in	Yellow					
HS-X-130	130 lbs	1.00"	130 lbs/in	Purple					
HS-X-175	175 lbs	1.00"	175 lbs/in	Silver					
HS-X-210	210 lbs	1.00"	210 lbs/in	Blue					
HS-A-12	12 lbs	1.00"	12 lbs/in	Red	2-3/4"	5-3/4"	3-3/4"	3-1/2"	5/8"
HS-A-18	18 lbs	1.00"	18 lbs/in	Gray					
HS-A-25	25 lbs	1.00"	25 lbs/in	Orange					
HS-A-41	41 lbs	1.18"	35 lbs/in	Pink	2-3/4"	5-3/4"	3-3/4"	4"	5/8"
HS-A-56	56 lbs	1.14"	49 lbs/in	Black					
HS-A-73	73 lbs	1.06"	69 lbs/in	Tan					
HS-A-95	95 lbs	1.01"	94 lbs/in	Green					
HS-A-45	45 lbs	1.60"	28 lbs/in	Blue	2-3/4"	5-3/4"	3-3/4"	4"	5/8"
HS-A-75	75 lbs	1.50"	50 lbs/in	Orange					
HS-A-125	125 lbs	1.33"	94 lbs/in	Brown					
HS-A-200	200 lbs	1.15"	174 lbs/in	Black					
HS-A-310	310 lbs	1.00"	310 lbs/in	Yellow					
HS-A-400	400 lbs	1.00"	400 lbs/in	Green					
HS-A-510	510 lbs	1.00"	510 lbs/in	Red	2-3/4"	5-3/4"	3-3/4"	4"	5/8"
HS-A-625	625 lbs	1.00"	625 lbs/in	White					

3/4" Minimum Deflection\*

LRP - Lower Rod Penetration  
MRD - Maximum Rod Dia.

## HS-B 2" DEFLECTION SPRING HANGERS\*

Type & Size	Rated Capacity	Rated Deflection	Mount Constant	Spring Color/Stripe	Dimensions				
					D	H	W	LRP	MRD
HS-B-20	20 lbs	2.40"	8 lbs/in	Tan	4"	7-1/4"	4-3/4"	5-1/8"	3/4"
HS-B-26	26 lbs	2.18"	12 lbs/in	White/Blue					
HS-B-35	35 lbs	2.20"	16 lbs/in	Purple					
HS-B-50	50 lbs	2.20"	24 lbs/in	White/Red					
HS-B-65	65 lbs	2.10"	31 lbs/in	Brown					
HS-B-85	85 lbs	2.10"	40 lbs/in	White/Black					
HS-B-115	115 lbs	2.00"	57 lbs/in	Silver					
HS-B-150	150 lbs	2.00"	75 lbs/in	Orange					
HS-B2-210	210 lbs	2.12"	99 lbs/in	Silver	4"	7-1/4"	4-3/4"	5-1/8"	3/4"
HS-B2-290	290 lbs	2.00"	144 lbs/in	Blue					
HS-B2-450	450 lbs	2.00"	224 lbs/in	Tan					

1-1/2" Minimum Deflection\*



**ACOUSTICAL | SURFACES, INC.**

PAGE 2

*Celebrating Over 40 Years - SOUNDPROOFING, ACOUSTICS, NOISE & VIBRATION SPECIALISTS!*

952.448.5300 | 800.448.0121 | sales@acousticalsurfaces.com | www.acousticalsurfaces.com