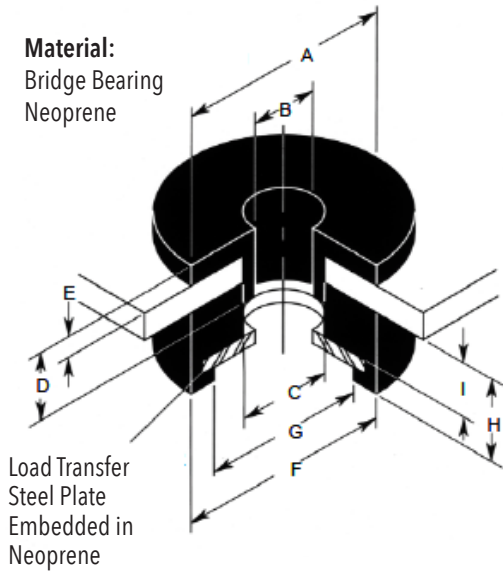
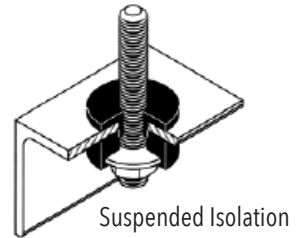
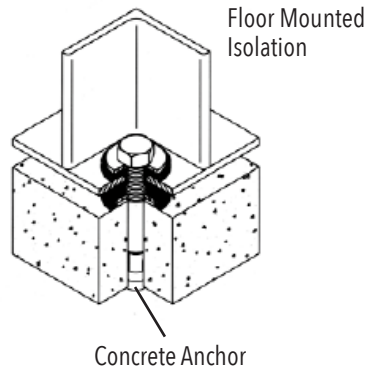


HMIB Hanger Mounts

Material:
Bridge Bearing
Neoprene



The HMIB Mounts - can be used to break the path of vibration. This anti-vibration rubber mount is an inexpensive way of providing some relief from the noise of a wall fan, a kitchen exhaust fan or a fan assisted strip heater.



Used for Suspended or Floor Mounted Equipment

HMIB DIMENSIONS

Size	A	B	C	D	E	F	G	H	I	Rated Loaded	Rated Deflection
HMIB-1/4	1"	1/4"	1/2"	3/8"	1/8"	1-1/2"	1"	1/2"	3/8"	60 lbs	.075"
HMIB-3/8	1-1/4"	3/8"	5/8"	1/2"	1/8"	1-3/4"	1-1/4"	5/8"	1/2"	70 lbs	.095"
HMIB-1/2	1-5/8"	1/2"	3/4"	1/2"	1/8"	1-3/4"	1-1/4"	5/8"	1/2"	100 lbs	.095"
HMIB-5/8	2"	5/8"	7/8"	5/8"	3/16"	2"	1-1/2"	3/4"	1/2"	120 lbs	.110"



ACOUSTICAL | SURFACES, INC.

Celebrating Over 40 Years - SOUNDPROOFING, ACOUSTICS, NOISE & VIBRATION SPECIALISTS!

952.448.5300 | 800.448.0121 | sales@acousticalsurfaces.com | www.acousticalsurfaces.com