



Acoustical Surfaces, Inc.

SOUNDPROOFING, ACOUSTICS, NOISE & VIBRATION CONTROL SPECIALISTS

123 Columbia Court North • Suite 201 • Chaska, MN 55318

(952) 448-5300 • Fax (952) 448-2613 • (800) 448-0121

Email: sales@acousticalsurfaces.com

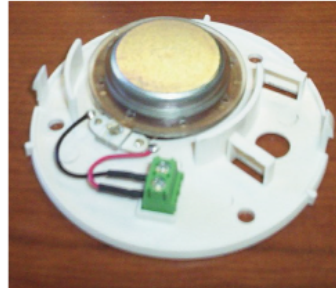
Visit our Website: www.acousticalsurfaces.com

We Identify and S.T.O.P. Your Noise Problem

Sound Masking Loudspeaker

smartSMS

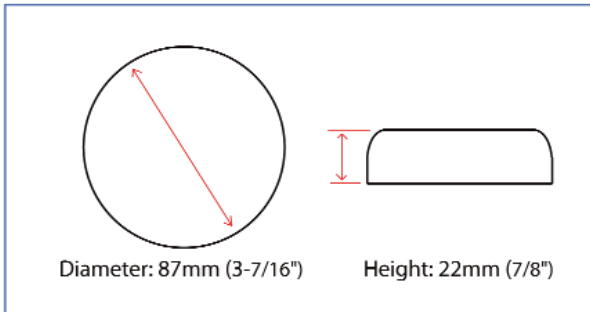
SMS-VIB Exciter



Specifications

Power:	10 watts
Impedance:	30 Ohms
Material:	ABS Plastic
Connectors:	3.2mm (1/8") Screw terminals
Driver:	25mm (1") Voice coil
Color:	White
Weight:	115g (4 oz)
Shipping Weight:	125g (4.5oz)

Dimensions



NOTE: Frequency response and sensitivity will be determined by the surface on which the VIB Exciter is installed.

Specifications are subject to change without notice

Contact: Christian St-Pierre
 (514) 727-3800
 (514) 703-1553
c.stpierre@softdb.com

Soft dB

- Soundproofing Products • Sonex™ Ceiling & Wall Panels • Sound Control Curtains • Equipment Enclosures • Acoustical Baffles & Banners • Solid Wood & Veneer Acoustical Ceiling & Wall Systems
- Professional Audio Acoustics • Vibration & Damping Control • Fire Retardant Acoustics • Hearing Protection • Moisture & Impact Resistant Products • Floor Impact Noise Reduction
- Sound Absorbers • Noise Barriers • Fabric Wrapped Wall Panels • Acoustical Foam (Egg Crate) • Acoustical Sealants & Adhesives • Outdoor Noise Control • Assistive Listening Devices
- OSHA, FDA, ADA Compliance • On-Site Acoustical Analysis • Acoustical Design & Consulting • Large Inventory • Fast Shipment • No Project too Large or Small • Major Credit Cards Accepted