



# Acoustical Surfaces, Inc.

**SOUNDPROOFING, ACOUSTICS, NOISE & VIBRATION CONTROL SPECIALISTS**

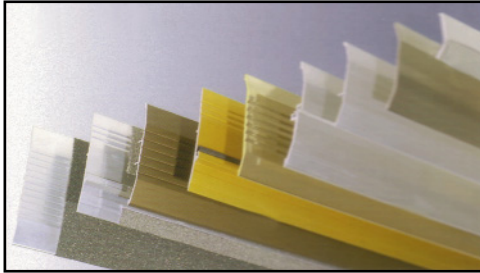
123 Columbia Court North • Suite 201 • Chaska, MN 55318

(952) 448-5300 • Fax (952) 448-2613 • (800) 448-0121

Email: [sales@acousticalsurfaces.com](mailto:sales@acousticalsurfaces.com)

Visit our Website: [www.acousticalsurfaces.com](http://www.acousticalsurfaces.com)

**We Identify and S.T.O.P. Your Noise Problems**



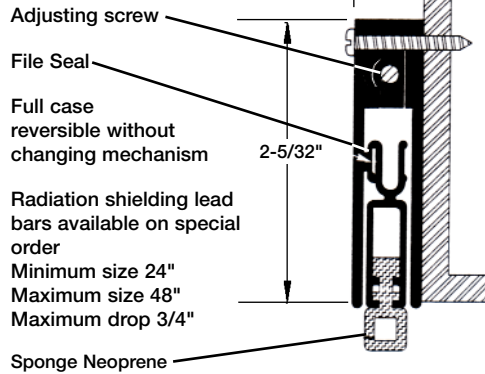
## ADJUSTABLE DOOR SEALS

### Surface Mounted Automatic Doors Seals

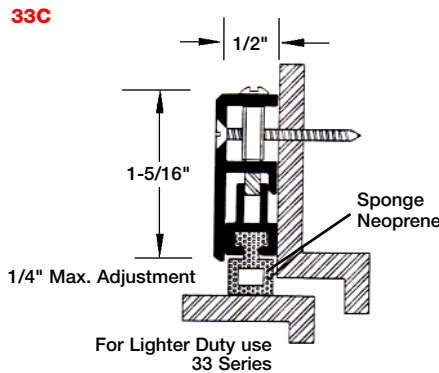
- **Reduces Sound Through Door Units**
- **Economical**
- **Easy to Install**
- **Durable**

### Kit 1- Standard

**Automatic Door Bottom 320C**  
**320C**

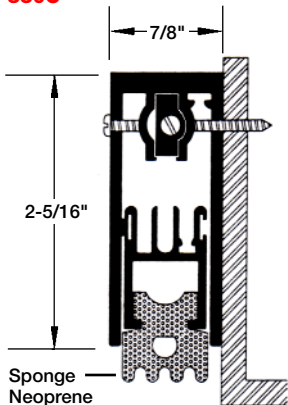


**Adjustable Jamb Seal 33C**  
(3 piece set 2 - 7' long & 1 - 3' long)

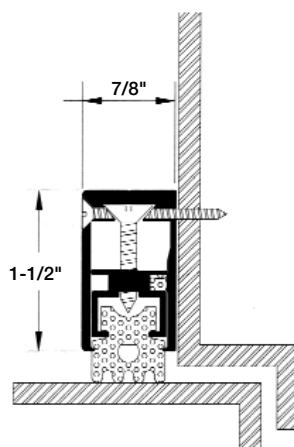


### Kit 2- Heavy Duty

**Automatic Door Bottom 330C**  
**330C**



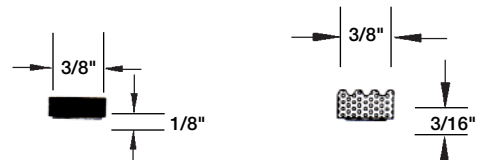
**Adjustable Jamb Seal 599C**  
(3 piece set 2 - 7' long & 1 - 3' long)  
**599C**



### Door Frame Sound Gaskets

**631** — 1/8" x 3/8" x 50 ft.

**629** — 3/16" x 3/8" x 100 ft. or 300 ft.



**Please Note:** Door bottoms are not designed to seal directly on carpet. For best results door bottoms should seal on a solid surface. The solid surface should be positioned above the level of the floor covering on either side of the door.

Continued on next page...



# Acoustical Surfaces, Inc.

**SOUNDPROOFING, ACOUSTICS, NOISE & VIBRATION CONTROL SPECIALISTS**

123 Columbia Court North • Suite 201 • Chaska, MN 55318

(952) 448-5300 • Fax (952) 448-2613 • (800) 448-0121

Email: [sales@acousticalsurfaces.com](mailto:sales@acousticalsurfaces.com)

Visit our Website: [www.acousticalsurfaces.com](http://www.acousticalsurfaces.com)

**We Identify and S.T.O.P. Your Noise Problem**



## Acoustical Performance STC in Accordance with ASTM E90-75

### Model 32C-(no Threshold)

Door Caulked Shut STC 32  
With Door Bottom STC 28

### Model 330-(no Threshold)

Door Caulked Shut STC 44  
With Door Bottom STC 37

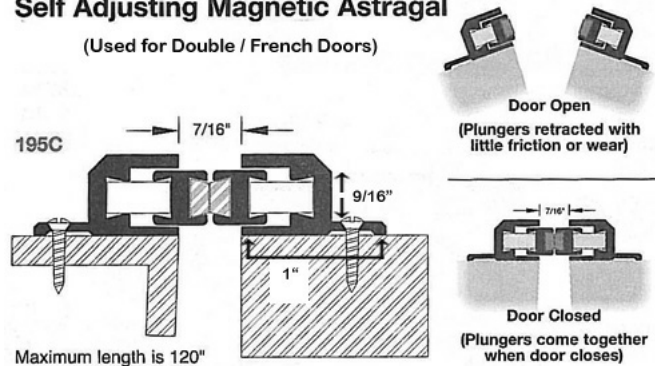
### Model 330C-(with Threshold)

Door Caulked Shut STC 51  
Door Bottom Seal STC 43  
and Threshold

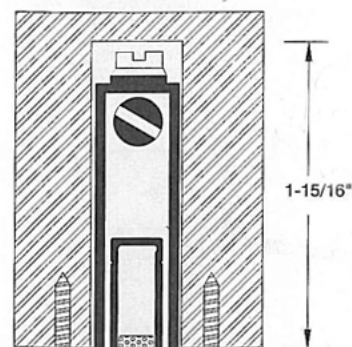
**NOTE:** Standard 1 3/4" Solid Core Door,  
5 lbs./sq. Ft. STC-22 No seals. With Door Seals  
STC-33 Solid Core Door, 7 lbs./sq. ft. STC-46

## Self Adjusting Magnetic Astragal

(Used for Double / French Doors)



## Mortised Door Seal (Adjustable Hidden Door Seal)



370A  
With sponge  
neoprene  
in bar

